



COOPER

FLUID SYSTEMS



WIGGINS SERVICE SYSTEMS



In-Tank Receiver with Check Valve

The integrated check valve in the Wiggins ZN2CV is designed to prevent losing fuel from the receiver when the poppet is actuated and allowing nipple replacement without draining the tank. The check valve is specially designed to minimise pressure drop across the unit during high flow. ZN2CV is made of precision-machined components and the prototype unit has successfully passed 2,000-cycle tests without any failure.

Features and Benefits Include:

- Allows easy non spill removal.
- Fuel anti theft device.
- Environmentally kind by reducing the spillage that occurs due to a damaged receiver.
- Designed and tested by Wiggins.
- Suits ZZ9A1 nozzle.
- Same pressure drop as ZNC2A.
- Replaceable nipple.
- Rebuild kit available.



ZN2CV In-Tank Receiver with Check Valve



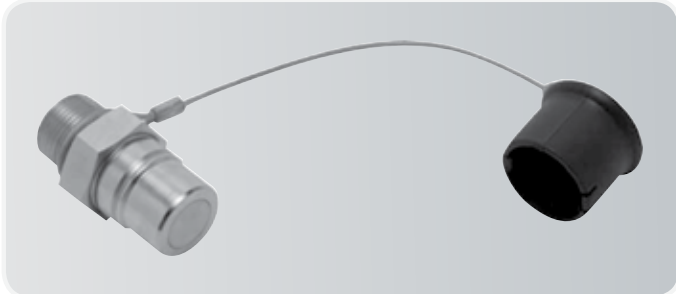
KZN2CV-1 Installation Kit



ZN2CV-100 Rebuild Kit

Service couplings allow you to change and fill crankcase oil, hydraulic reservoirs, top up transmission fluid & fill radiators. An extensive range of couplings is available to serve every fluid on your vehicle. Couplings can be mounted directly to equipment system, or at a remote location or central service box - reduces injuries by keeping workers off the machine.

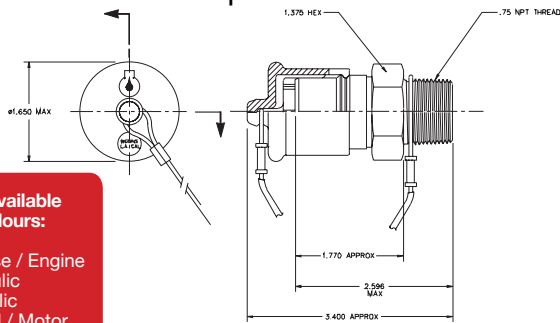
Crankcase Receiver & Cap



ON2 Receiver

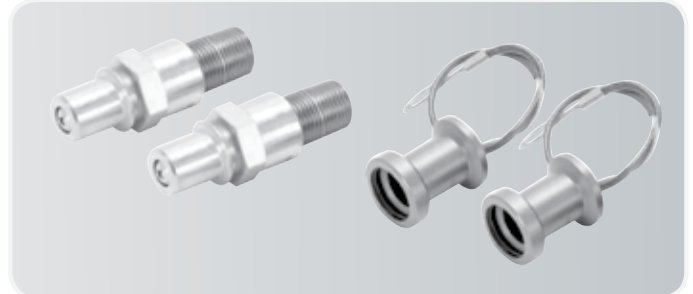
OC-12CP Cap

ONC2A Receiver with Cap



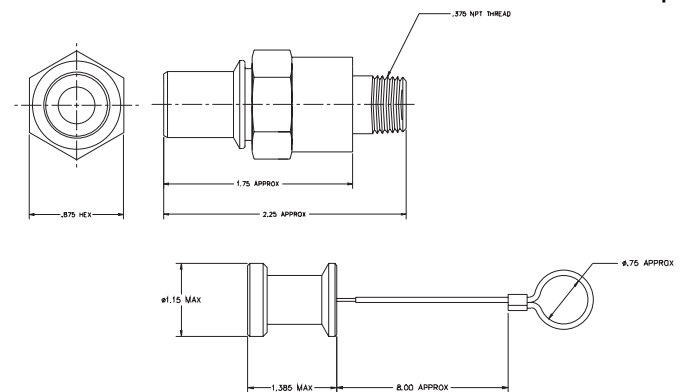
ONC2A also available in six other colours:
 Blue: Coolant
 Red: Crankcase / Engine
 Yellow: Hydraulic
 Green: Hydraulic
 Orange: Wheel / Motor
 Brown: Multi-Purpose Oil

Transmission Receiver & Cap



P1804 Receiver

P1880 Cap



Crankcase Nozzle & Plug

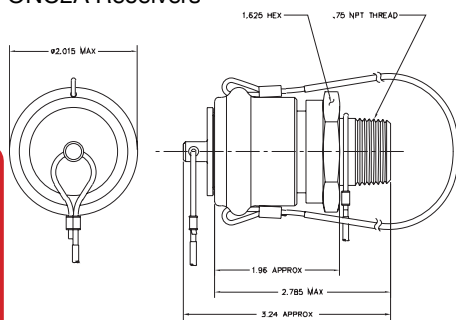


OS2 Nozzle

OP12 Plug

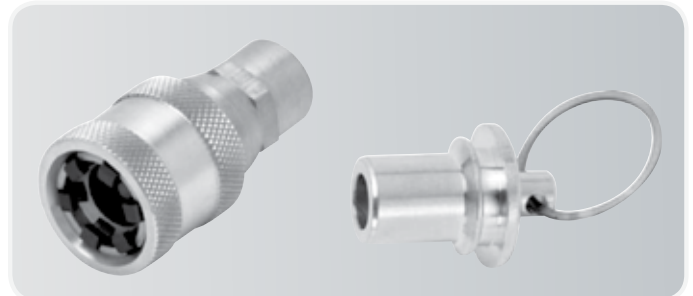
OSP2 Nozzle with Plug

* mates with ON2 and ONC2A Receivers



OSP2 also available in six other colours:
 Blue: Coolant
 Red: Crankcase / Engine
 Yellow: Hydraulic
 Green: Hydraulic
 Orange: Wheel / Motor
 Brown: Multi-Purpose Oil

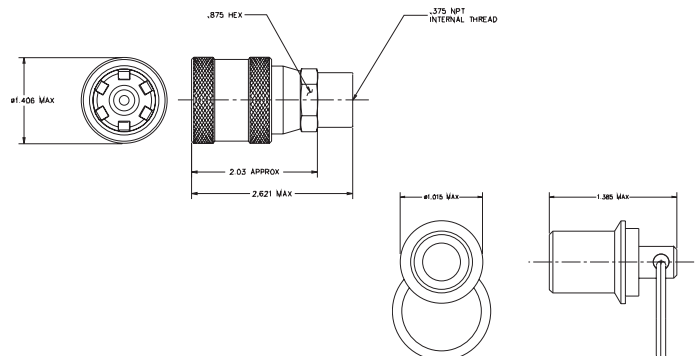
Transmission Nozzle & Plug



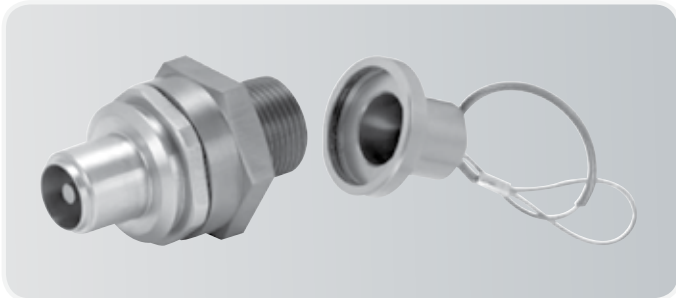
C1807 Nozzle

P1844 Plug

* mates with P1804 Receiver

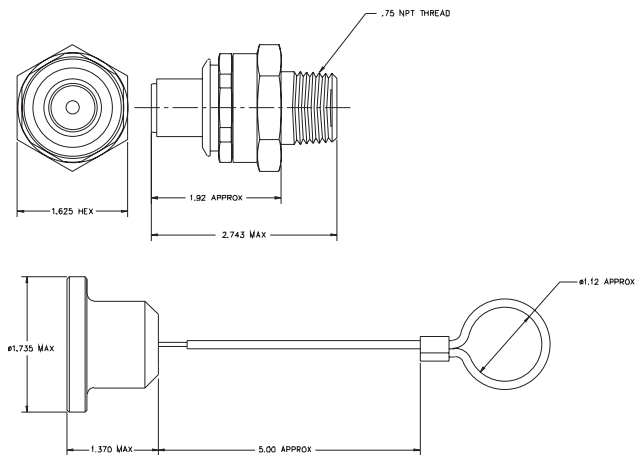


Hydraulic Receiver & Cap

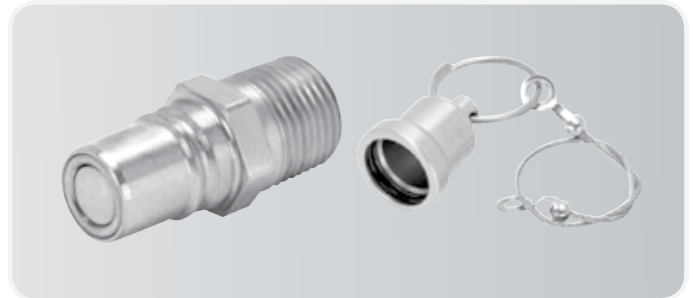


6005A12 Receiver

6008-12 Cap

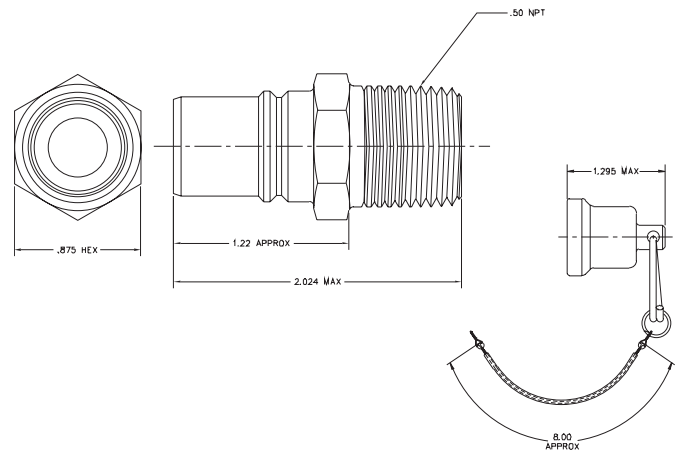


Coolant Receiver & Cap

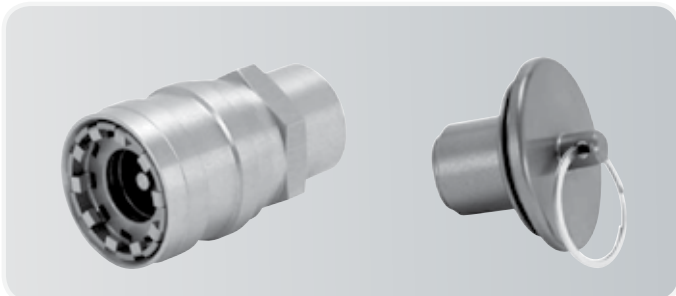


EC285A8 Receiver

1208-8 Cap



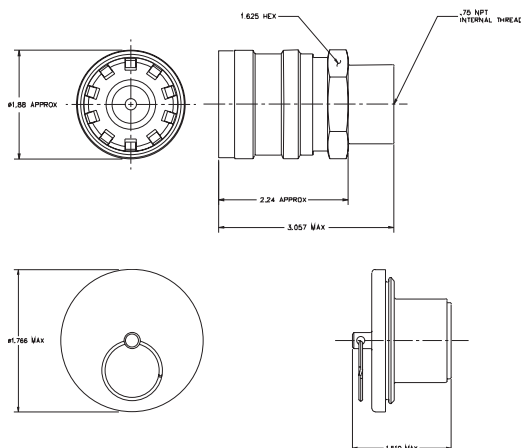
Hydraulic Nozzle & Plug



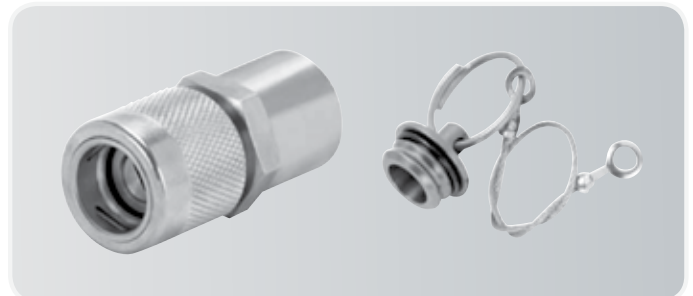
6000B12 Nozzle

* mates with 6005A12 Receiver

6009-12 Plug



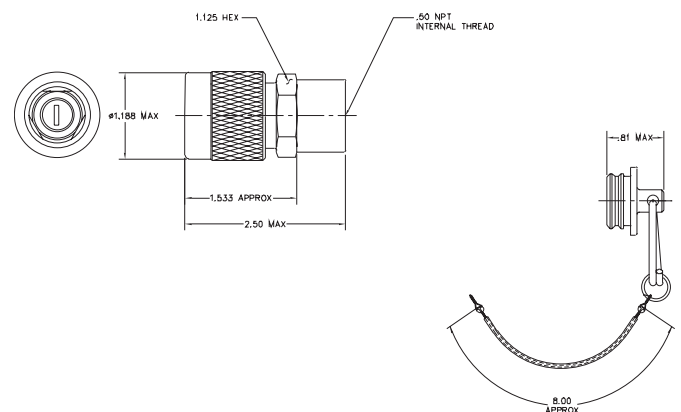
Coolant Nozzle & Plug



EC280B8 Nozzle

* mates with EC285A8 Receiver

1209-8 Plug

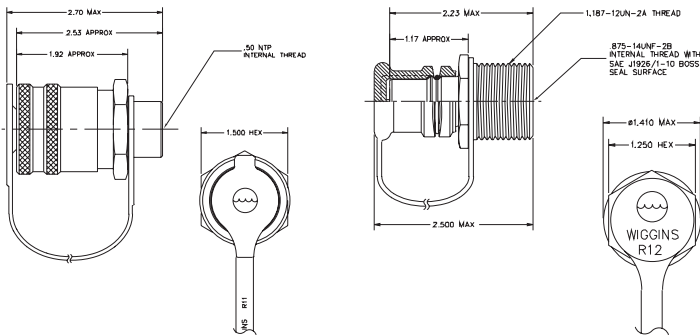


R Series Coolant Receiver & Nozzle



R11 Nozzle **R11BLU Nozzle**
R12 Receiver **R12BLU Receiver**

- * Nozzle and Receiver sold separately.
- * Lanyard and Cap supplied with Receiver
- * Replacement Lanyard: R1107
- * Replacement Cap: R1205

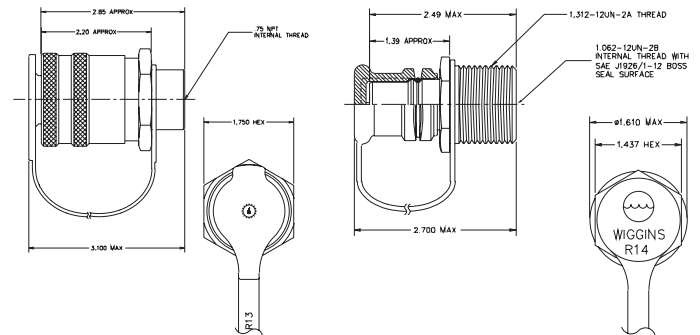


R Series Transmission Receiver & Nozzle



R13 Nozzle **R13VLT Nozzle**
R14 Receiver **R14VLT Receiver**

- * Nozzle and Receiver sold separately.
- * Lanyard and Cap supplied with Receiver
- * Replacement Lanyard: R1307
- * Replacement Cap: R1405

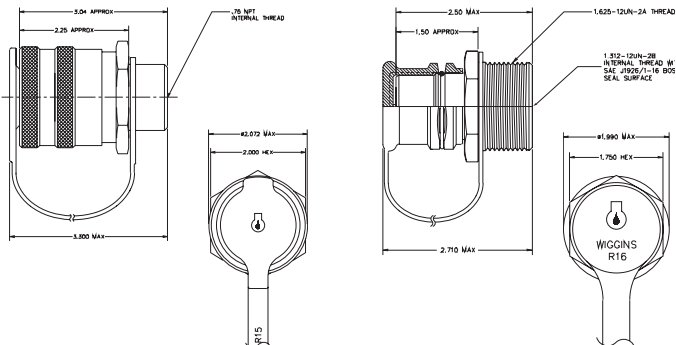


R Series Oil Receiver & Nozzle



R15 Nozzle **R15RED Nozzle**
R16 Receiver **R16RED Receiver**

- * Nozzle and Receiver sold separately.
- * Lanyard and Cap supplied with Receiver
- * Replacement Lanyard: R1507
- * Replacement Cap: R1605

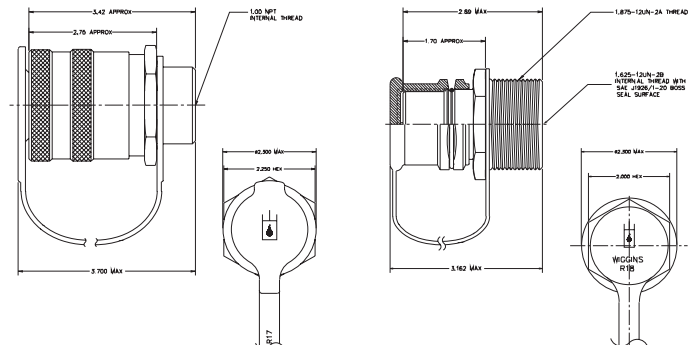


R Series Hydraulic Receiver & Nozzle

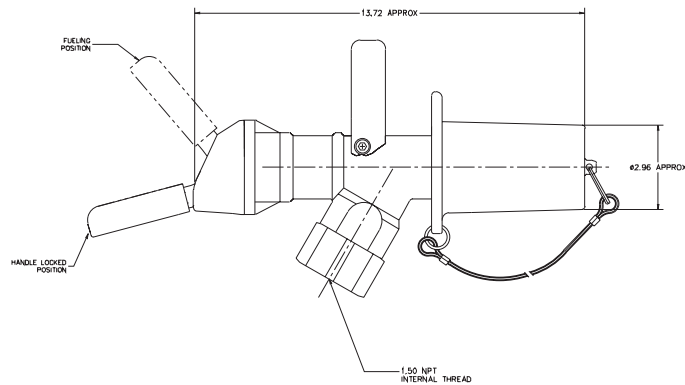


R17 Nozzle **R17YLW Nozzle**
R18 Receiver **R18YLW Receiver**

- * Nozzle and Receiver sold separately.
- * Lanyard and Cap supplied with Receiver
- * Replacement Lanyard: R1707
- * Replacement Cap: R1805



ZZ9A1

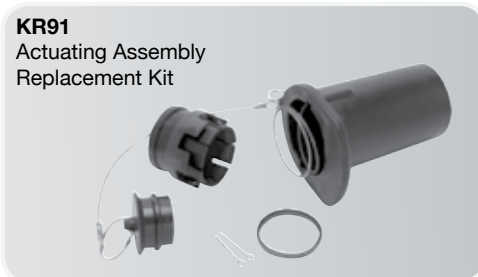


Data Table

Flow Rate (gpm)	Pressure Drop	Operating Pressure	Weight (lbs)
25	1.0 psi	1.25 psig max.	5.75
60	4.0 psi	1.25 psig max.	5.75
100	9.0 psi	1.25 psig max.	5.75
125	14.0 psi	1.25 psig max.	5.75
150	24.0 psi	1.25 psig max.	5.75

Replacement Kits

KR91
Actuating Assembly
Replacement Kit



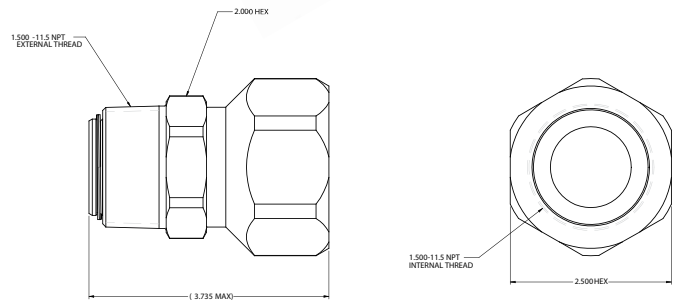
KR92
Latching Mechanism
Replacement Kit



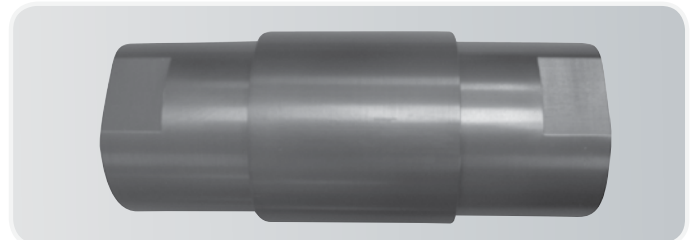
KR93
Housing Handle
Replacement Kit



ZS150

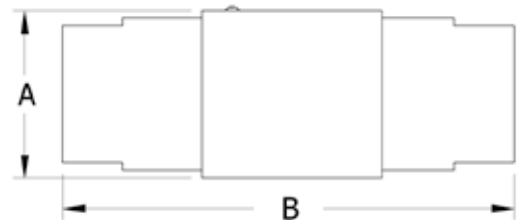


ZC150



The Wiggins ZC150 Breakaway Coupling is designed to prevent damage to refuelling systems and minimise fuel spillage. In the event of a vehicle drive-away, the coupling halves will separate and the dual poppet valves will seal off both hoses.

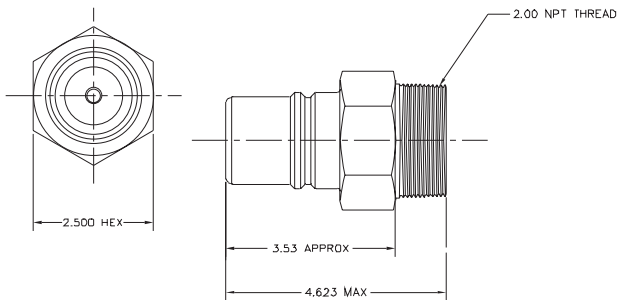
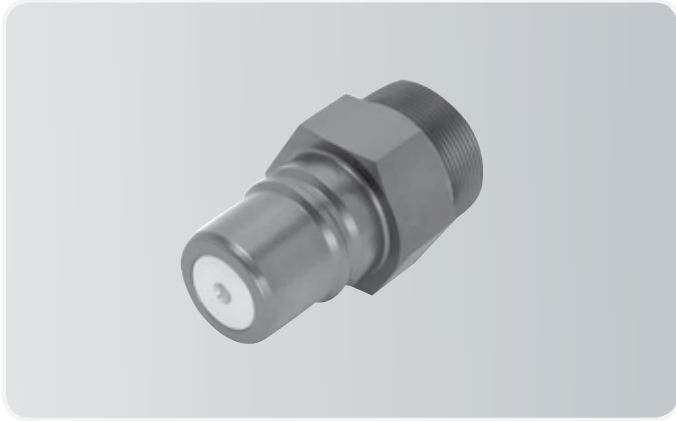
The coupling uses two replaceable shear pins that break at a predetermined load. These pins may be purchased as part of a repair kit to allow speedy replacement in the field.



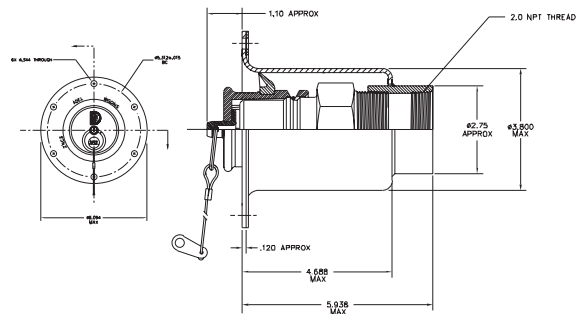
Data Table

Description	A	B	Weight (lbs)	Operating Pressure
1-1/2" NPT	2.8"	7.5"	2.5	125psi

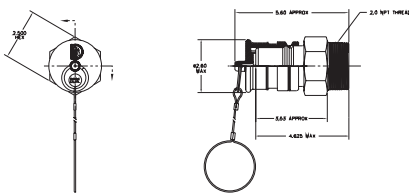
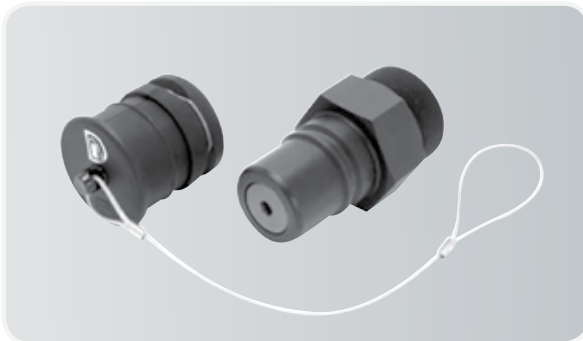
ZN2A



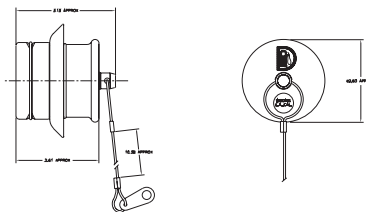
ZNC4



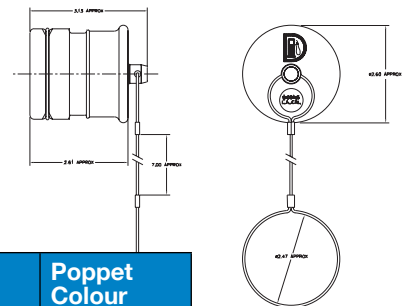
JNC2A



ZC-20BP



ZC-20EP



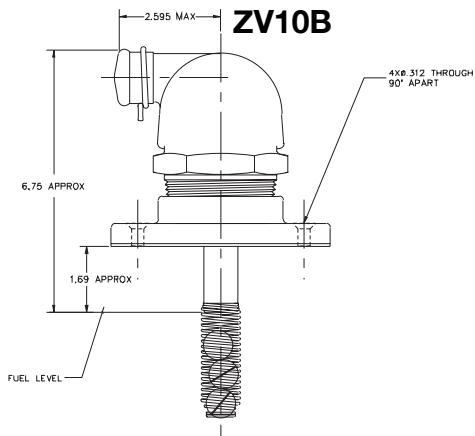
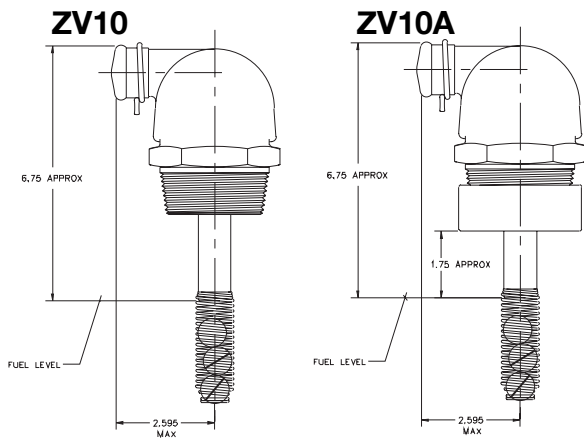
Data Table

Receiver	Application	Poppet Colour
ZN2A	Standard for most applications and mountings	Clear
ZN2B	Light spring compensates for head pressure	Blue
ZN2D	Heavy spring to avoid premature shut-off	Red
ZN2AC	Stainless steel version of ZN2A	Clear
ZNC2A	Same as ZN2 with cap	Clear
ZNC3	Bolt on version	Clear
ZNC4	Weld on version	Clear
JNC2A	Remote receiver for JN125	Black

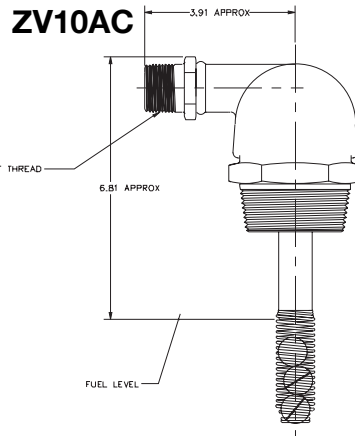
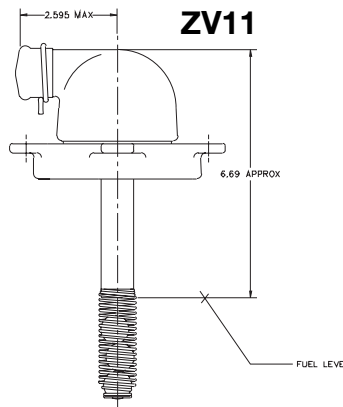
WIGGINS FUEL TANK VENTS



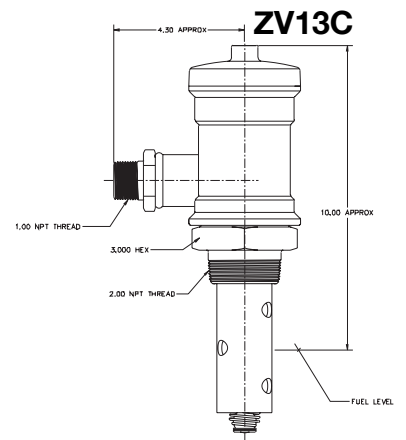
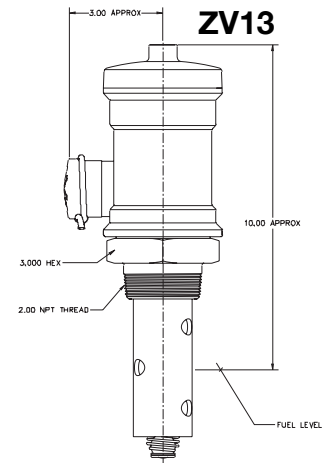
ZV10



ZV11



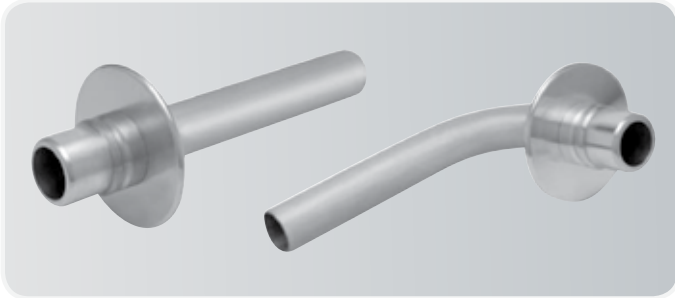
ZV13



Data Table

Vent Model	Mounting Style	Length	Pressure Relief	Rebuild Kit Number
ZV10	Pipe thread	9.375"	10.2 - 12.9 psi	K30285
ZV10A	Welded half coupling	9.375"	10.2 - 12.9 psi	K30285
ZV10B	Flange/Gasket	9.375"	10.2 - 12.9 psi	K30285
ZV10C	Same as ZV10 - with threaded outlet	9.500"	10.2 - 12.9 psi	K30285
ZV10F	Same as ZV10 - with long stem	12.50"	10.2 - 12.9 psi	K30285
ZV11	Gas cap mount	9.312"	10.2 - 12.9 psi	K30285
ZV11A	Gas cap mount - with long stem	12.50"	10.2 - 12.9 psi	K30285
ZV13	Vented pipe thread	12.50"	10.4 - 11.3 psi	N/A
ZV13F	Long stem	14.70"	10.4 - 11.3 psi	N/A

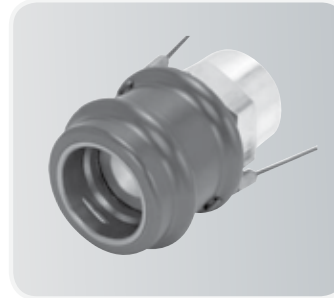
Nozzle Adaptors for the ZZ9A1



ZN6A
Straight Adaptor Tube

ZN6B
90° Adaptor Tube

Bulk Fuel Coupling



The ZS5 Bulk Transfer Nozzle can be used to drain a fuel tank for servicing, or to transfer fuel from one tank to another. The end fitting is the same 2" NPT female fitting as the ZZ9A1.

ZS5 Nozzle
* mates with ZN2A Receiver

FLOW METERS

WM50 Pulse Meters M50 Pulse & LC Display Meters



M50ARP-X



Displays

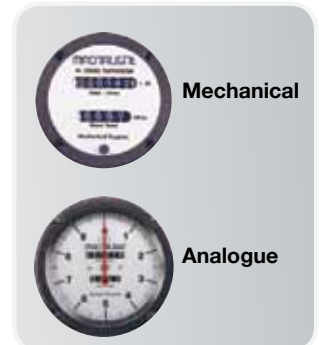
- 2" Large Capacity Flow Meter.
- Two independent pulse units.
- Flexibility of installation options (e.g. can be mounted horizontally or vertically; no flow conditioning required).
- Low pressure drop allows for economical pump selection or gravity flow applications.
- Meter construction enables fast and easy on-site servicing without removal from application; minimises the number of wearable and replaceable parts; extends product life.
- Intrinsically safe LC Deluxe and Standard Displays.



M50 Mechanical Meters



M50ARM-X



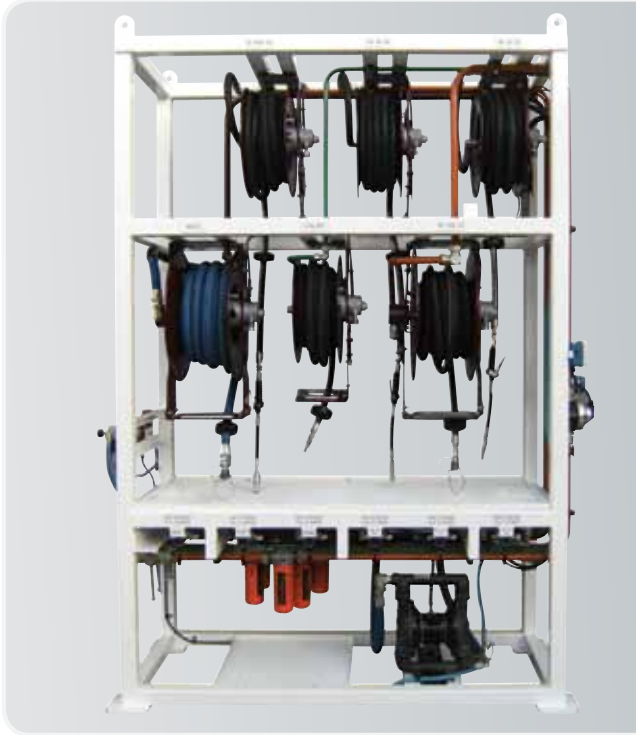
Displays

- 2" Large Capacity Flow Meter.
- Easy to read and operate mechanical display.
- Flexibility of installation options (e.g. can be mounted horizontally or vertically; no flow conditioning required).
- Low pressure drop allows for economical pump selection or gravity flow applications.
- Meter construction enables fast and easy on-site servicing without removal from application.
- An Option of 100 Pulses per unit of measure output is available for the Analogue version.



HOSE REELS

Hydraulic & Pneumatic Hose Reels



Hose Reel Stand



Hydraulic Hose Reels & Pneumatic Hose Reels

- Safe to operate and maintain.
- Direct drive.
- Less moving parts with no power springs.
- No pawl.
- Stainless Steel hose guide with greater hose carrying capacity.
- High flow with low pressure drop.
- Optional brake assembly available. (Pneumatic only)



700 Series Hose Reel



Dual-arm design handles up to 74' (22.86m) of 3/4" (19mm) hose. Equipped with heavy-duty ball bearings for longer life than sleeved-type bearings.



750 Series Hose Reel



Heavy-duty, high volume reel handles up to 50' (15.2m) of 1-1/2" (38mm) hose that is ideal for fuel dispense. Maintains desired length of hose and ensures positive latch and rewind.



SPILL CONTAINMENT & NOZZLES

A1004

Spill Containment Kit



- Sturdy ductile iron lid and heavy duty, snow plow resistant ductile iron rim.
- HDPE bellows liner.
- Deep polyethylene gravel guard accommodates thick concrete pads.
- One piece base with integral drain.
- 4" NPT or BSPT.

EMCO[®]
WHEATON RETAIL

A6000

Roughneck[®] Truck Stop Nozzle



A6000-020 1" Nozzle

- Full-flow automatic nozzle.
- Rugged unibody construction, thick walled spout and stamped steel lever are built for durability, long lasting reliability, and maximum flow rates.
- Features a hold-open latch and vinyl scuff guard.
- 225L/min @ 40 PSI max.

EMCO[®]
WHEATON RETAIL

PUMPS

Fire-Ball[®] 425



With robust design, the Fire-Ball is the pump of choice for your most demanding high volume applications.

Available in ratios of 3:1, 6:1, 10:1, 50:1 and 75:1

GRACO[®]

Diaphragm Pumps



Ideal for a variety of applications from diesel, oil transfer and used oil, to windshield wash and anti-freeze.

Available in a range of sizes from 3/8" (9.5mm) to 3" (76.2mm).

GRACO[®]

PERTH OFFICE

PO Box 231, Cloverdale WA 6985
25 Redcliffe Road, Redcliffe WA 6104
Telephone (08) 6272 5333
Facsimile (08) 6272 5350
Email cfsperth@cfs.cgl.com.au

KALGOORLIE OFFICE

Unit 2, 35 Great Eastern Hwy, Kalgoorlie WA 6430
Telephone (08) 9021 4000
Facsimile (08) 9021 3999
Email cfskalgoorlie@cfs.cgl.com.au

ADELAIDE OFFICE

19 Richard Street, Hindmarsh SA 5007
Telephone (08) 8346 2705
Facsimile (08) 8346 7443
Email cfsadelaide@cfs.cgl.com.au

BRISBANE OFFICE

PO Box 257, Carole Park QLD 4300
152 Cobalt Street, Carole Park QLD 4300
Telephone (07) 3258 7222
Facsimile (07) 3258 7200
Email cfsbrisbane@cfs.cgl.com.au

TOOWOOMBA OFFICE

Lot 13 Tews Court, Toowoomba QLD 4350
Mobile 0417 930 591

MACKAY OFFICE

PO Box 691, Mackay QLD 4740
8 Michelmore Road, Paget QLD 4740
Telephone (07) 4952 4844
Facsimile (07) 4952 4011
Email cfsmackay@cfs.cgl.com.au

GLADSTONE OFFICE

Unit 7A 2 Dennis Street, Boyne Island
Mobile Workshop 0400 203 400
Mobile Sales 0410 220 919

TOWNSVILLE OFFICE

PO Box 8020 GBC, Garbutt QLD 4814
Toll Street, Bohle QLD 4818
Telephone (07) 4774 3455
Facsimile (07) 4774 4902
Email cfstownsville@cfs.cgl.com.au

www.cooperfluidsystems.com.au



COOPER
FLUID SYSTEMS

AUSTRALIA'S HYDRAULIC AND LUBRICATION SPECIALISTS

A Division of Coventry Group Ltd ABN 37 008 670 102